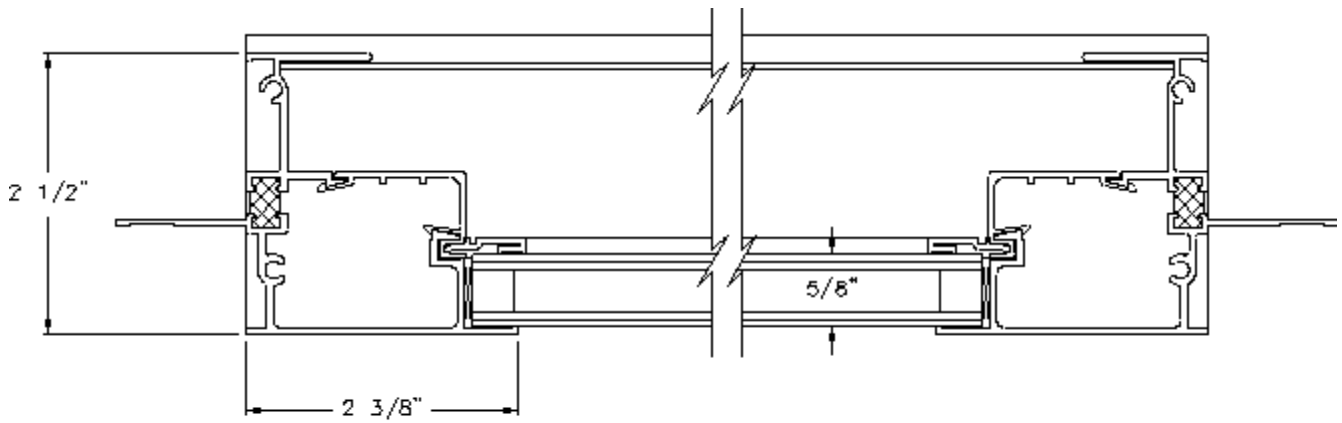


① HEAD  
P1400 FIXED

② SILL  
P1400 FIXED



③ LEFT JAMB  
P1400

④ RIGHT JAMB  
P1400